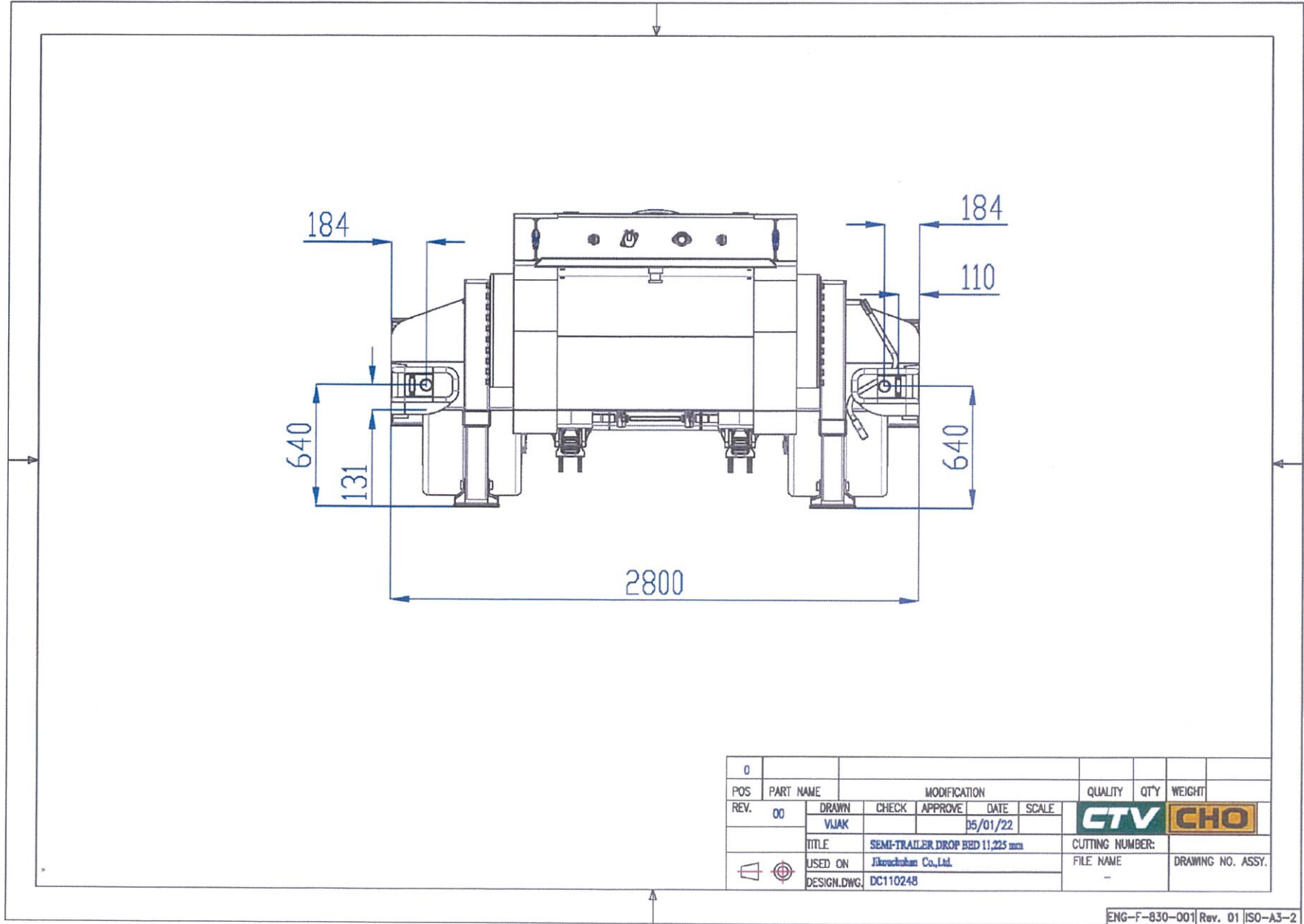


0						QUALITY	QTY	WEIGHT
POS	PART NAME	MODIFICATION						
REV.	00	DRAWN	CHECK	APPROVE	DATE	SCALE	CTV CHO	
		VJAK			05/01/22			
	TITLE	SEMI-TRAILER DROP BED 11,225 mm				CUTTING NUMBER:		
	USED ON	Jitranichan Co., Ltd.				FILE NAME		
	DESIGN.DWG.	DC110248				DRAWING NO. ASSY.		



0						QUALITY	QTY	WEIGHT
POS	PART NAME	MODIFICATION						
REV.	00	DRAWN	CHECK	APPROVE	DATE	SCALE	CTV CHO	
		VJAK			05/01/22			
		TITLE	SEMI-TRAILER DROP BED 11,225 mm			CUTTING NUMBER:		
		USED ON	Jkrachuban Co., Ltd.			FILE NAME		DRAWING NO. ASSY.
		DESIGN.DWG:	DC110248			-		